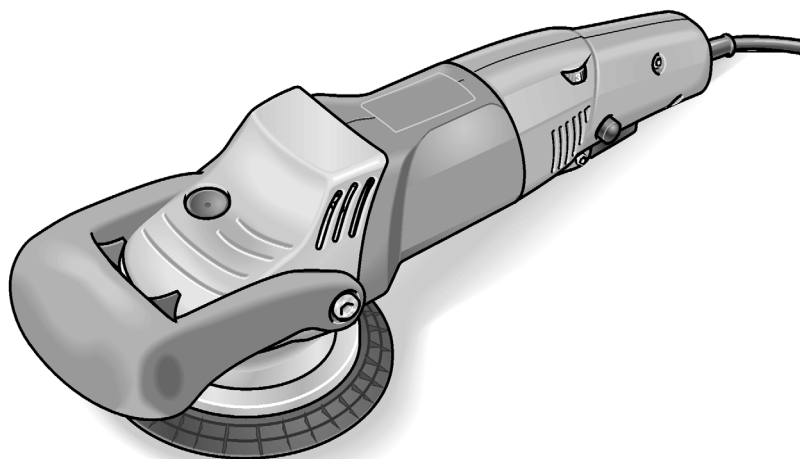


## ELEKTROWERKZEUGE

**XC3401VRG**



<b>en</b>	Instruction manual.....	3
<b>es</b>	Instrucciones de funcionamiento .....	16
<b>fr</b>	Notice d'utilisation .....	31



## Contents

---



Meanings of signal words . . . . . 3  
 Important safety informations . . . . . 3  
 Intended use . . . . . 3  
 General Power Tool Safety Warnings 4  
**SPECIFIC SAFETY RULES**  
**AND SYMBOLS** . . . . . 6  
 Overview . . . . . 10  
 Operating instructions . . . . . 11  
 Maintenance and care . . . . . 13  
**WARRANTY** . . . . . 13  
 Technical specifications . . . . . 15

## Meanings of signal words



---

 **DANGER**   
*DANGER indicates a potentially hazardous situations which, if ignored, could result in death or serious injury.*

---

 **CAUTION**   
*CAUTION indicates a potentially hazardous situations which, if not avoided, may result in minor or moderate injury, or may cause machine damage.*

---

 **NOTE**   
 NOTE emphasizes essential information.

---

## Important safety informations

---

Read and understand all of the safety precautions, warnings and operating instructions in the Instruction manual before operating or maintaining this power tool.

Most accidents that result from power tool operation and maintenance are caused by the failure to observe basic safety rules or precautions.

An accident can often be avoided by recognizing a potentially hazardous situation before it occurs, and by observing appropriate safety procedures.

Basic safety precautions are outlined in the "SAFETY" section of this Instruction manual and in the sections which contain the operation and maintenance instructions.

Hazards that must be avoided to prevent bodily injury or machine damage are identified by WARNINGS on the power tool and in this Instruction manual.

NEVER use this power tool in a manner that has not been specifically recommended by FLEX.

## Intended use

---

This hand-operated orbit polisher is designed

- is designed for industrial applications,
- for all types of polishing work, e.g. paintwork on vehicles, furniture, metal and stone surfaces, etc. with polishing sponge, lambswool and wool pads,
- for use with polishing tools which are permitted to run at a speed of at least 500 r.p.m.

## General Power Tool Safety Warnings



### WARNING:

**Read all safety warnings, instructions, illustrations and specifications provided with this power tool.**

Failure to follow all instructions listed below may result in electric shock, fire and/or serious injury.

**Save all warnings and instructions for future reference.**

The term “power tool” in all of the warnings refers to your mains-operated (corded) power tool or battery-operated (cordless) power tool.

### 1. Work area

**(a) Keep work area clean and well lit.**

Cluttered and dark areas invite accidents.

**(b) Do not operate power tools in explosive atmospheres, such as in the presence of flammable liquids, gases or dust.** Power tools create sparks which may ignite the dust or fumes.

**(c) Keep children and bystanders away while operating a power tool.** Distractions can cause you to lose control.

### 2. Electrical safety

**(a) Power tool plugs must match the outlet. Never modify the plug in any way. Do not use any adapter plugs with earthed (grounded) power tools.**

Unmodified plugs and matching outlets will reduce risk of electric shock.

**(b) Avoid body contact with earthed or grounded surfaces such as pipes, radiators, ranges and refrigerators.** There is an increased risk of electric shock if your body is earthed or grounded.

**(c) Do not expose power tools to rain or wet conditions.** Water entering a power tool will increase the risk of electric shock.

**(d) Do not abuse the cord. Never use the cord for carrying, pulling or unplugging the power tool. Keep cord away from heat, oil, sharp edges or moving parts.** Damaged or entangled cords increase the risk of electric shock.

**(e) When operating a power tool outdoors, use an extension cord suitable for outdoor use.** Use of a cord suitable for outdoor use reduces the risk of electric shock.

**(f) If operating a power tool in a damp location is unavoidable, use a residual current device (RCD) protected supply.** Use of an RCD reduces the risk of electric shock.

### 3. Personal safety

**(a) Stay alert, watch what you are doing and use common sense when operating a power tool. Do not use a power tool while you are tired or under the influence of drugs, alcohol or medication.**

A moment of inattention while operating power tools may result in serious personal injury.

**(b) Use personal protective equipment. Always wear eye protection.** Protective equipment such as a dust mask, non-skid safety shoes, hard hat or hearing protection used for appropriate conditions will reduce personal injuries.

**(c) Prevent unintentional starting.** Ensure the switch is in the off-position before connecting to power source and/or battery pack, picking up or carrying the tool. Carrying power tools with your finger on the switch or energising power tools that have the switch on invites accidents.

**(d) Remove any adjusting key or wrench before turning the power tool on.**

A wrench or a key left attached to a rotating part of the power tool may result in personal injury.

**(e) Do not overreach. Keep proper footing and balance at all times.**

This enables better control of the power tool in unexpected situations.

**(f) Dress properly. Do not wear loose clothing or jewellery. Keep your hair, clothing and gloves away from moving parts.** Loose clothes, jewellery or long hair can be caught in moving parts.

**(g) If devices are provided for the connection of dust extraction and collection facilities, ensure these are connected and properly used.** Use of these devices can reduce dust related hazards.

**(h) Do not let familiarity gained from frequent use of tools allow you to become complacent and ignore tool safety principles.** A careless action can cause severe injury within a fraction of a second.

#### 4. Power tool use and care

**(a) Do not force the power tool. Use the correct power tool for your application.**

The correct power tool will do the job better and safer at the rate for which it was designed.

**(b) Do not use the power tool if the switch does not turn it on and off.** Any power tool that cannot be controlled with the switch is dangerous and must be repaired.

**(c) Disconnect the plug from the power source and/or remove the battery pack, if detachable, from the power tool before making any adjustments, changing accessories, or storing power tools.** Such preventive safety measures reduce the risk of starting the power tool accidentally.

**(d) Store idle power tools out of the reach of children and do not allow persons unfamiliar with the power tool or these instructions to operate the power tool.**

Power tools are dangerous in the hands of untrained users.

**(e) Maintain power tools and accessories. Check for misalignment or binding of moving parts, breakage of parts and any other condition that may affect the power tool's operation. If damaged, have the power tool repaired before use.** Many accidents are caused by poorly maintained power tools.

**(f) Keep cutting tools sharp and clean.**

Properly maintained cutting tools with sharp cutting edges are less likely to bind and are easier to control.

**(g) Use the power tool, accessories and tool bits etc. in accordance with these instructions, taking into account the working conditions and the work to be performed.** Use of the power tool for operations different from those intended could result in a hazardous situation.

**(h) Keep handles and grasping surfaces dry, clean and free from oil and grease.**

Slippery handles and grasping surfaces do not allow for safe handling and control of the tool in unexpected situations.

#### 5. Service

**(a) Have your power tool serviced by a qualified repair person using only identical replacement parts.** This will ensure that the safety of the power tool is maintained.

**(b) Tool service must be performed only by a FLEX authorized service center.**  
Service or maintenance performed by unqualified personnel could result in a risk of injury.

**(c) When servicing a tool, use only identical replacement parts. Follow instructions in the Maintenance section of this manual.** Use of unauthorized parts or failure to follow Maintenance Instruction may create a risk of electric shock or injury.

## SPECIFIC SAFETY RULES AND SYMBOLS

- **This electric power tool must be used as a polisher. Observe all safety information, instructions, diagrams and data which you receive with the power tool.**  
If you do not observe the following instructions, an electric shock, fire and/or serious injuries may occur.
- **This electric power tool is not suitable for use as sander, with sandpaper, wire brushes or for cut-off grinding.**  
If the electric power tool is not used as intended, the user may be exposed to hazards and may be injured.
- **Never use accessories which the manufacturer did not intend or recommend especially for this electric power tool.**  
Just because you can attach the accessory to your electric power tool does not guarantee safe use.
- **The permitted speed of the insertion tool must be at least as high as the maximum speed indicated on the electric power tool.**  
An accessory which rotates faster than permitted may shatter and fly off.
- **Outer diameter and thickness of the insertion tool must correspond to the dimensions of the electric power tool.**  
Incorrectly measured insertion tools cannot be adequately shielded or controlled.
- **Sanding discs, sanding pads or other accessories must fit exactly on the grinding spindle of your electric power tool.**  
Insertion tools, which do not fit exactly on the grinding spindle of the electric power tool, rotate unevenly, vibrate violently and may result in loss of control.
- **Do not use any damaged insertion tools. Before use, always check insertion tools for splinters and cracks, sanding pad for cracks, wear and severe abrasion. If the electric power tool or the insertion tool is dropped, check for damage or use an undamaged insertion tool. When you have checked and inserted the tool, ensure that you and anybody in the vicinity remain outside the plane of the rotating insertion tool and leave the power tool running for one minute at maximum speed.**  
Damaged insertion tools usually break during this test time.
- **Wear personal protective equipment. Depending on the application, wear full face protection, eye protection or goggles. If appropriate, wear a dust mask, hearing protection, protective gloves and/or a special apron which protect you from small sanding and material particles.**  
You should protect your eyes from foreign objects which are ejected for

different applications. Dust and respirator masks must filter the dust which is generated by the power tool for the particular application. If you are exposed to loud noise for a prolonged period, you may suffer hearing loss.

- **Ensure that other persons are situated at a safe distance from the work area. Anyone who enters the work area must wear personal protective equipment.**

Fragments of the workpiece or broken insertion tools may fly off and cause injuries even outside the direct working area.

- **If the insertion tool is at risk of coming into contact with concealed power cables or the power cord itself, hold the power tool by the insulated grip surfaces only.**

Contact with a live cable may also cause metal parts of the appliance to become live and result in an electric shock.

- **Keep the power cord away from rotating insertion tools.**  
If you lose control of the appliance, the power cord could be severed or become caught and your hand or arm may strike the rotating insertion tool.
- **Never put down the electric power tool until the insertion tool has come to a standstill.**

The rotating insertion tool may come into contact with the support surface, possibly resulting in you losing control of the electric power tool.

- **Never leave the electric power tool running while you are carrying it.**  
Your clothing may become caught by accidental contact with the rotating insertion tool which may then drill into your body.
- **Regularly clean the ventilation slots on your electric power tool.**

The motor fan draws dust into the housing; a large build-up of metal dust may cause electrical hazards.

- **Never use the electric power tool near combustible materials.**  
Sparks may ignite these materials.
- **Never use insertion tools which require liquid coolants.**

The use of water or other liquid coolants may result in electric shock.

## Kickback and Related Warnings

Kickback is a sudden reaction to a pinched or snagged rotating wheel, backing pad, brush or any other accessory.

Pinching or snagging causes rapid stalling of the rotating accessory which in turn causes the uncontrolled power tool to be forced in the direction opposite of the accessory's rotation at the point of the binding.

For example, if an abrasive wheel is snagged or pinched by the workpiece, the edge of the wheel that is entering into the pinch point can dig into the surface of the material causing the wheel to climb out or kick out. The wheel may either jump toward or away from the operator, depending on direction of the wheel's movement at the point of pinching. Abrasive wheels may also break under these conditions.

Kickback is the result of power tool misuse and/or incorrect operating procedures or conditions and can be avoided by taking proper precautions as given below.

- **Maintain a firm grip on the power tool and position your body and arm to allow you to resist kickback forces.**  
Always use auxiliary handle, if provided, for maximum control over kickback or torque reaction during start-up.

The operator can control torque reactions or kickback forces, if proper precautions are taken.


- **Never place your hand near the rotating accessory.**  
Accessory may kickback over your hand.
- **Do not position your body in the area where power tool will move if kickback occurs.**  
Kickback will propel the tool in direction opposite to the wheel's movement at the point of snagging.
- **Use special care when working corners, sharp edges etc. Avoid bouncing and snagging the accessory.**  
Corners, sharp edges or bouncing have a tendency to snag the rotating accessory and cause loss of control or kickback.
- **Do not attach a saw chain, wood-carving blade or toothed saw blade.**  
Such blades create frequent kickback and loss of control.

### Safety Warnings Specific for Polishing Operations

- **Do not allow any loose portion of the polishing bonnet or its attachment strings to spin freely. Tuck away or trim any loose attachment strings.**  
Loose and spinning attachment strings can entangle your fingers or snag on the workpiece.

### Double insulation for safer operation

To ensure safer operation of this power tool, FLEX has adopted a double insulation design. "Double insulation" means that two physically separated insulation systems have been used to insulate the electrically conductive materials connected to the power supply from the outer frame handled by the

operator. Therefore, either the symbol  or the words "Double insulation" appear on the power tool or on the nameplate.

Although this system has no external grounding, you must still follow the normal electrical safety precautions given in this Instruction Manual, including not using the power tool in wet environments.

To keep the double insulation system effective, follow these precautions:

- Only FLEX AUTHORIZED SERVICE CENTER should disassemble or assemble this power tool, and only genuine FLEX replacement parts should be installed.
- Clean the exterior of the power tool only with a soft cloth moistened with soapy water, and dry thoroughly.
- Never use solvents, gasoline or thinners on plastic components; otherwise the plastic may dissolve.

### Additional warnings

- **Some dust created by power sanding, sawing, grinding, drilling and other construction activities contains chemicals known to the State of California to cause cancer, birth defects or other reproductive harm.** Some examples of these chemicals are:
  - Lead from lead-based paints.
  - Crystalline silica from bricks, cement, and other masonry products.
  - Arsenic and chromium from chemically-treated lumber.

**Your risk from these exposures varies, depending upon how often you do this**



**type of work.** To reduce your exposure to these chemicals:

- Work in a well-ventilated area.
- Work with approved safety equipment, such as dust masks that are specially designed to filter out microscopic particles.
- Avoid prolonged contact with dust from power sanding, sawing, grinding, drilling, and other construction activities. Wear protective clothing and wash exposed areas with soap and water. Allowing dust to get into your mouth or eyes or to lie on the skin may

promote absorption of harmful chemicals.

### Definitions for symbols used on this tool

V..... volts


~ ..... alternating current


Hz ..... hertz

A..... amperes

$n_o$  ..... no load speed

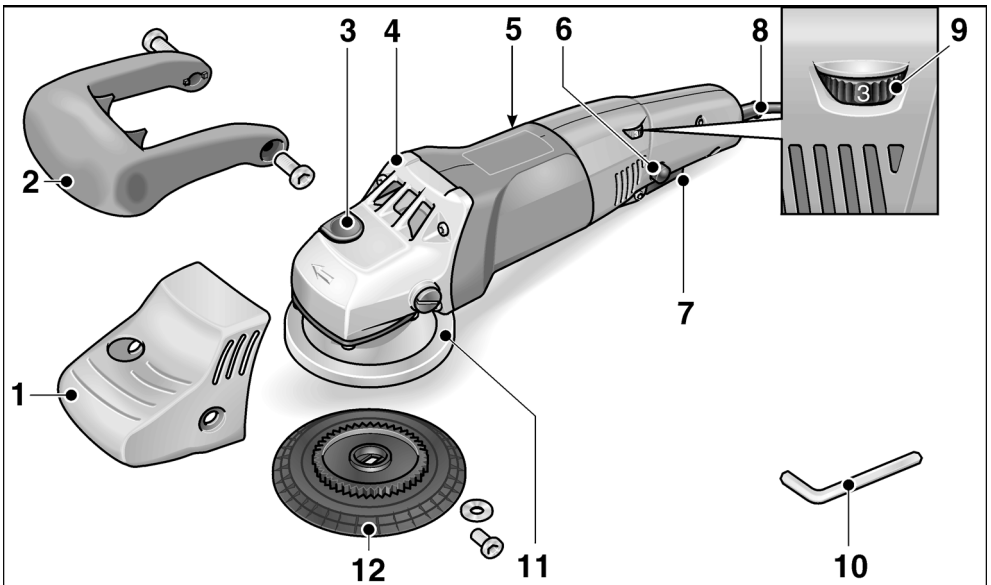
$\text{min}^{-1}$  ..... revolutions per minute

 ..... double insulation

 ..... Wear safety goggles!

**SAVE THESE INSTRUCTIONS AND MAKE THEM AVAILABLE TO OTHER USERS AND OWNERS OF THIS TOOL!**

## Overview



- |  |   |
|--|---|
| <p><b>1 Grip cover</b></p> <p><b>2 Bail handle</b></p> <p><b>3 Spindle lock</b><br/>For locking the spindle when changing the Velcro pad.</p> <p><b>4 Gear head</b><br/>With air outlet and direction-of-rotation arrow.</p> <p><b>5 Rating plate</b></p> <p><b>6 Locking button</b><br/>Locks the switch (Switch) during continuous operation.</p> <p><b>7 Switch</b><br/>Switches the power tool on and off and also accelerates it up to the preselected speed.</p> | <p><b>8 Power cord with plug</b><br/>334.839: 10 ' power cord<br/>392.715: 25 ' power cord</p> <p><b>9 Dial for preselecting the speed</b></p> <p><b>10 Hexagon-socket key</b></p> <p><b>11 Housing</b></p> <p><b>12 Velcro pad</b></p> |
|--|---|

# Operating instructions



## DANGER

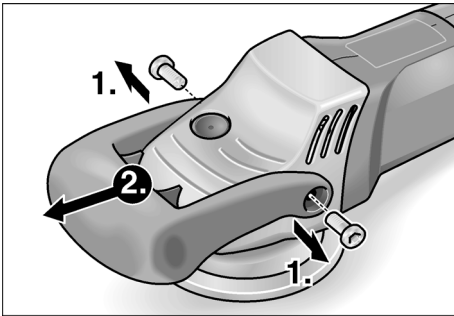


*Before carrying out any work on the polisher, always pull out the mains plug.*

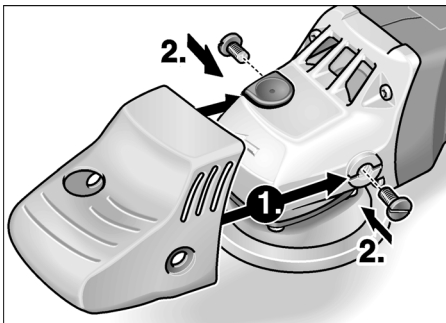
### Before switching on the polisher

Unpack the polisher and check that there are no missing or damaged parts.

If required: Remove the bail handle



### Attaching the grip cover only

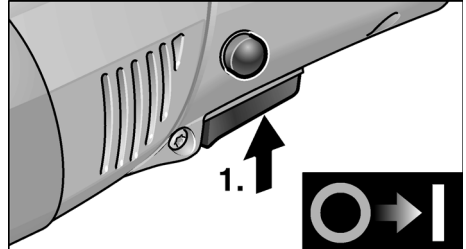


1. Using the hexagon-socket key, remove the 2 screws from the bail handle.
2. Remove bail handle and grip cover.
3. Push on grip cover only.

4. Attach grip cover with the 2 slotted screws.

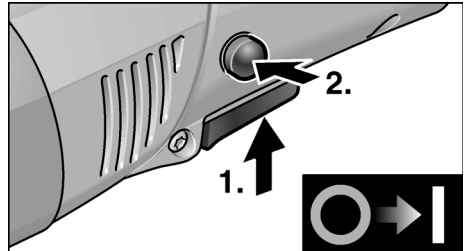
### Switch on and off

**Brief operation without engaged switch rocker:**

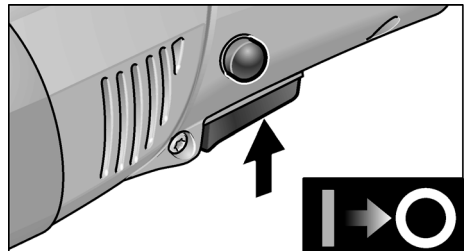


- Press and hold down the switch.
- To switch off, release the switch.

**Continuous operation with engaged switch rocker:**



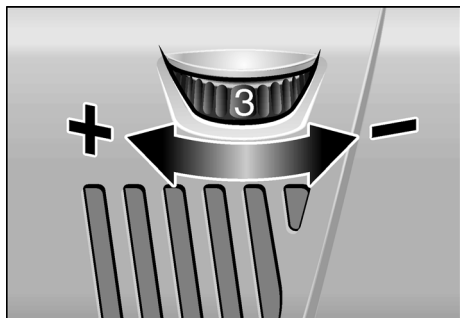
- Press and hold down the switch.
- To lock into position, hold down the locking button and release the switch.



- To switch off, briefly press and release the switch.

**!** **NOTE** **!**  
Following a power failure, the switched on power tool does not restart.

### Preselecting the speed



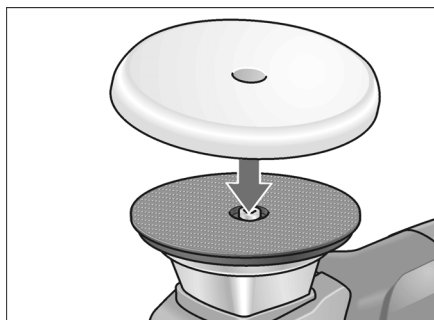
- To set the operating speed, move the dial (Dial for preselecting the speed) to the required value.
- Gently press the switch (Switch) to accelerate the power tool up to the preselected speed.

**i** **NOTE** **i**

If an overload or overheating occurs during continuous operation, the power tool automatically reduces the speed until the power tool has cooled down adequately.

### Attach or change tools

1. Pull out the mains plug.



2. Firmly press polishing material, centred on the eye, onto the Velcro pad (Housing). **Use undamaged polishing tools only.**
3. Insert the mains plug into the socket.
4. Switch on the polisher (without engaging it) and run the polisher for approx. 30 seconds. Check for imbalances and vibrations.
5. Switch off the polisher.

### Operating informations

**!** **CAUTION** **!**

*When the polisher is switched off, the polishing tool continues running briefly.*

**i** **NOTE** **i**

Following a tool change (e. g. wool pad instead of polishing sponge), the difference in weight may increase the vibrations. Change the operating speed with the adjusting wheel (9) until the vibrations have been reduced.

- Switch on the machine before placing it on the surface which is to be polished and run the polisher up to the set speed.
- Applying light contact pressure, move the polisher in circular, overlapping

movements on the surface which is to be polished in order to obtain a good polishing finish and to ensure that the tool has a long service life.

- On sensitive surfaces (e.g. car paintwork) do not work aggressively but work at slow speeds applying low contact pressure.

## Maintenance and care



### DANGER



*Before carrying out any work on the polisher, always pull out the mains plug.*

### Cleaning

- Regularly clean the power tool and ventilation slots. Frequency of cleaning is dependent on the material and duration of use.
- Regularly blow out the housing interior and motor with dry compressed air.

### Carbon brushes

The polisher features cut-off carbon brushes.

When the wear limit of the cut-off carbon brushes is reached, the polisher switches off automatically.



### NOTE



Use only original parts supplied by the manufacturer for replacement purposes. If non-original parts are used, the guarantee obligations of the manufacturer will be deemed null and void.

sparking through the rear air inlet apertures.

If the carbon brushes spark excessively, switch off the polisher immediately. Take the polisher to a customer service workshop authorised by the manufacturer.

### Gears



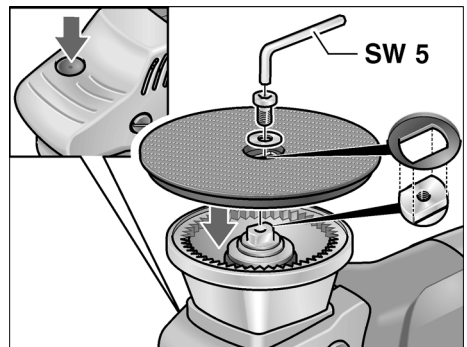
### NOTE



Do not loosen the screws on the gear head (4) during the warranty period. Non-compliance will deem the guarantee obligations of the manufacturer null and void.

### Replacing a worn Velcro pad

1. Pull out the mains plug.
2. Remove polishing sponge.
3. Place machine on its back.
4. Press spindle lock and loosen and remove the screw with an Allen key. Remove Velcro pad.
5. If required, clean the key surface of the output shaft.
6. Place a new Velcro pad on the output shaft.



When the polisher is being used, the carbon brushes can be seen

The groove of the Velcro pad must mesh with the key surface of the output shaft, if required rotate the output shaft.

7. Screw in the screw and tighten with the Allen key. Simultaneously press the spindle lock.
8. Conduct a test run. Check for imbalances and vibrations.

## Repairs

Repairs may be carried out by an authorised customer service centre only.

## Spare parts and accessories



### NOTE



Only the tools released by FLEX may be used.

For accessories, in particular tools and polishing aids, see the manufacturer's catalogues.

## WARRANTY

### FLEX North America limited one year Warranty

FLEX North America warrants its Professional Power Tools for a period of one year from the date of original purchase. We will repair or replace at our option, any part or parts of the product and accessories covered under this warranty, which, after examination, prove(s) to be defective in workmanship or material during the warranty period. For repair or replacement, return the complete tool or accessory, transportation prepaid, to your nearest Authorized Service Station. Proof of purchase may be required. This warranty does not apply to repair or

replacement due to misuse, abuse, normal wear and tear or repairs attempted or made by someone other than our Authorized Service Stations.

ANY IMPLIED WARRANTY, INCLUDING THE IMPLIED WARRANTIES OF MERCHANTABILITY AND FITNESS FOR PARTICULAR PURPOSE, WILL LAST ONLY FOR ONE (1) YEAR FROM THE DATE OF PURCHASE.

To obtain information on warranty performance, please write to:

FLEX - North America, Inc.

2720 E. Phillips Road

Greer, SC 29650, U.S.A.

1-877-331-6103 (main line)

1-888-331-6104 (fax line)


[www.FlexNorthAmerica.com](http://www.FlexNorthAmerica.com)

THE FOREGOING OBLIGATION IS FLEX NORTH AMERICA'S SOLE LIABILITY UNDER THIS OR ANY IMPLIED WARRANTY AND UNDER NO CIRCUMSTANCES SHALL FLEX NORTH AMERICA BE LIABLE FOR ANY INCIDENTAL OF CONSEQUENTIAL DAMAGES.

Some states do not allow limitations on how long an implied warranty lasts or the exclusion or limitation of incidental or consequential damages, so the above limitation or exclusion may not apply to you.

This warranty gives you specific legal rights and you may also have other legal rights, which vary from state to state.

## Technical specifications

Machine type		XC 3401 VRG
Tool Ø max.	mm	160
Tool holder	mm	Velcro Ø 140
Speed	r.p.m.	160–480
Stroke rate	min <sup>-1</sup>	3200–9600
Stroke	mm	8
Power input	W	900
Power output	W	590
Weight (without power cord)	kg	2.6
Safety class		II / 

## Noise



### CAUTION



*Wear ear protection at a sound pressure above 85 dB(A).*

Measured according to EN 60745:

Sound pressure L <sub>PA</sub>	dB(A)	79
Sound power L <sub>WA</sub>	dB(A)	90



## Vibration



Weighted effective value of acceleration according to EN 60745: 4.9 m/s<sup>2</sup>

## Contenido

Símbolos en estas instrucciones . . . .	16
Informaciones importantes de seguridad . . . . .	16
Uso recomendado . . . . .	16
Indicaciones generales de seguridad para herramientas eléctricas . . . . .	17
INSTRUCCIONES DE SEGURIDA ESPECÍFICOS Y SÍMBOLOS . . . . .	20
De un vistazo . . . . .	24
Indicaciones para el uso . . . . .	25
Mantenimiento y cuidado . . . . .	27
GARANTÍA . . . . .	28
Datos técnicos . . . . .	30

## Símbolos en estas instrucciones

 **PELIGRO**   
*PELIGRO indica una situación posiblemente peligrosa que puede causar la muerte o lesiones serias en caso de ignorarla.*

 **CUIDADO**   
*CUIDADO indica una situación potencialmente peligrosa que puede causar lesiones leves o menores o bien daños en la máquinas, en caso de incumplimiento.*

 **NOTA**   
**NOTA** enfatiza informaciones esenciales.

## Informaciones importantes de seguridad

Lea y entienda todas las medidas de precaución, de seguridad, advertencias e instrucciones de funcionamiento antes de poner en marcha esta herramienta eléctrica.

La mayoría de los accidentes resultantes del uso o el mantenimiento de herramientas eléctricas, son causados por el incumplimiento en la observación de las reglas básicas de seguridad o precauciones. Muchas veces puede evitarse un accidente, reconociendo de antemano una situación potencialmente peligrosa y observando las medidas de seguridad apropiadas.

Las precauciones básicas de seguridad se detallan en la sección “INSTRUCCIONES GENERALES DE SEGURIDAD” contenida en estas instrucciones de funcionamiento y en la sección que contiene las instrucciones de mantenimiento.

Los peligros que deben evitarse a fin de evitar lesiones o daños en la máquina, se marcan a través de ADVERTENCIAS sobre la herramienta eléctrica y en estas instrucciones de funcionamiento. **NUNCA** utilice esta herramienta eléctrica de alguna manera que FLEX no haya recomendada específicamente.

## Uso recomendado

Esta pulidora excéntrica de uso manual, está destinada

- a su utilización en la industria y el oficio,
- a trabajos de pulido de todo tipo, como p. ej. superficies lacadas en automóviles, muebles, superficies de metal y de piedra, etc., mediante el uso de esponjas pulidoras y pieles de cordero o lana,
- al uso con herramientas de pulido, que estén especificados para velocidades de giro de un mínimo de 500 R.P.M.



## Indicaciones generales de seguridad para herramientas eléctricas



### ADVERTENCIA:

Tenga en cuenta todas las advertencias de seguridad, instrucciones, ilustraciones y especificaciones que se entregan con este equipo. En caso de ignorar estas advertencias, se corre peligro de descargas eléctricas, incendios y/o lesiones graves.

**Conserve todas las advertencias e instrucciones de seguridad para el futuro.**

El término «herramienta eléctrica» empleado en las siguientes advertencias de peligro se refiere a herramientas eléctricas de conexión a la red (con cable de red) y a herramientas eléctricas accionadas por acumulador (o sea, sin cable de red).

#### 1. Zona de trabajo

**(a) Mantenga la zona de trabajo limpia y bien iluminada.** Zonas desordenadas y oscuras favorecen los accidentes.

**(b) No utilice herramientas eléctricas en zonas con peligro de explosión o en presencia de líquidos, gases o polvos inflamables.** Las herramientas eléctricas generan chispas que pueden causar la ignición de los gases o vapores.

**(c) Mantenga niños y espectadores alejados mientras se trabaja con herramientas eléctricas.**

Las distracciones pueden causar la pérdida del control sobre la situación.

#### 2. Seguridad eléctrica

**(a) Los enchufes de las herramientas eléctricas deben corresponder a los tomacorrientes utilizados. Nunca modifique el enchufe de modo alguno. No utilice adaptadores en combinación con herramientas eléctricas con puesta a tierra.** Los enchufes libres de modificaciones y los tomacorrientes adecuados reducen el peligro de descargas eléctricas.

**(b) Evite el contacto del cuerpo con superficies conectadas a tierra como tuberías, radiadores, cocinas o refrigeradores.** Existe un peligro mayor de descargas eléctricas si su cuerpo está en contacto con el potencial de tierra.

**(c) No esponga las herramientas eléctricas a la lluvia o a ambientes húmedos.** El agua que penetra en las herramientas eléctricas aumenta el peligro de descargas eléctricas.

**(d) Trate el cable con cuidado. Nunca utilice el cable para transportar, tirar, o desenchufar la herramienta eléctrica. Mantenga el cable alejado del calor, aceite, bordes filosos, o partes móviles.** Cables dañados o arrollados aumentan el peligro de descargas eléctricas.

**(e) Si utiliza una herramienta o eléctrica a la intemperie, utilice un cable de prolongación adecuado a ese medio.** El uso de un cable adecuado a la intemperie reduce el peligro de descargas eléctricas.

**(f) Si es inevitable la utilización de las herramientas eléctricas en sitios húmedos, utilídense disyuntores diferenciales.** El empleo de disyuntores diferenciales protege contra descargas eléctricas.

### 3. Seguridad personal

**(a) Esté alerta, observe su actividad y utilice el sentido común mientras opera una herramienta eléctrica. No utilice una herramienta eléctrica mientras está cansado, bajo la influencia de drogas, alcohol o medicamentos.** Un momento de falta de atención, puede ser causa de lesiones graves.

**(b) Utilice un equipo de protección y en todo caso unas gafas de protección.** El riesgo de lesionarse se reduce considerablemente si, dependiendo del tipo y la aplicación de la herramienta eléctrica empleada, se utiliza un equipo de protección adecuado como una mascarilla antipolvo, zapatos de seguridad con suela antideslizante, casco o protectores auditivos

**(c) Evite una puesta en marcha fortuita del aparato. Asegúrese de que la herramienta eléctrica esté apagada antes de conectarla a la alimentación de corriente y/o acumulador y antes de levantarla o portarla de un sitio a otro.** Si transporta el aparato sujetándolo por el interruptor de conexión/desconexión, o si introduce el enchufe en la toma de corriente con el aparato conectado, ello puede dar lugar a un accidente.

**(d) Quite toda llave de ajuste antes de poner la herramienta eléctrica en marcha.** Una llave que ha quedado sujeta a una parte rotativa de la herramienta eléctrica puede causar daños personales.

**(e) No se extralimite. Conserve un buen apoyo y balance en todo momento.** Esto permite un control mejor de la herramienta eléctrica en situaciones inesperadas.

**(f) Vista adecuadamente. No vista prendas joyas sueltas. Mantenga alejadas de las partes rotativas el cabello, la vestimenta y los guantes.** Las prendas o joyas sueltas, o el cabello largo pueden ser tomadas por las partes rotativas.

**(g) Si se han provisto dispositivos para la conexión de un extractor de polvos y dispositivos de colección, asegúrese que éstos estén correctamente conectados y usados adecuadamente.** El uso de estos dispositivos, puede disminuir peligros debidos al polvo.

**(h) No permita que la costumbre adquirida por el uso frecuente de los equipos le haga bajar la guardia y olvidarse de seguir los principios básicos de seguridad.** Un acto imprudente puede provocar lesiones de gravedad en pocos segundos.

### 4. Uso y cuidado de la herramienta eléctrica

**(a) No exija demasiado de su herramienta eléctrica. Use la herramienta adecuada a su aplicación.** La herramienta eléctrica adecuada, efectuará la tarea mejor y con mayor seguridad si trabaja con las características para las cuales ha sido diseñada.

**(b) No utilice la herramienta eléctrica si el conmutador no la enciende y apaga correctamente.** Toda herramienta eléctrica que no puede controlarse mediante el conmutador es peligrosa y debe reparársela.

**(c) Desconecte el enchufe del tomacorriente y/o quite el acumulador antes de efectuar ajustes en la herramienta eléctrica, cambiar accesorios o dejarla a un lado.** Esta medida preventiva reduce el riesgo de conectar accidentalmente el aparato.

**(d) Almacene herramientas eléctricas que no se usen fuera del alcance de los niños, evitando también, que personas que desconozcan la herramienta y estas instrucciones hagan uso de la misma.** Las herramientas eléctricas son peligrosas, cuando se encuentran en manos inexpertas.

**(e) Cuide sus herramientas eléctricas y accesorios con esmero. Controle si funcionan correctamente, sin atascarse, las partes móviles del aparato, y si existen piezas rotas o deterioradas que pudieran afectar al funcionamiento de la herramienta. Si la herramienta eléctrica estuviese defectuosa, haga repararla antes de volver a utilizarla.** Muchos de los accidentes se deben a aparatos con un mantenimiento deficiente

**(f) Mantenga las herramientas cortantes afiladas y limpias.** Herramientas cortantes adecuadamente afiladas son más fáciles de controlar.

**(g) Utilice herramientas eléctricas, accesorios, útiles, etc. de acuerdo con estas instrucciones y teniendo en cuenta las condiciones de trabajo y la tarea que va a realizar.** El uso de herramientas eléctricas con tareas para las cuales no han sido diseñadas, puede ser la causa de situaciones peligrosas.

**(h) Mantenga secos, limpios y libres de aceite y grasa los mangos y empuñaduras.** Los mangos y empuñaduras resbaladizos dificultan la manipulación y el control de la herramienta eléctrica en situaciones imprevistas.

## 5. Servicio

**(a) Únicamente haga reparar su herramienta eléctrica por un profesional, empleando exclusivamente piezas de repuesto originales.** Solamente así se mantiene la seguridad de la herramienta eléctrica.

**(b) En caso de reparaciones de una herramienta, utilice exclusivamente piezas de repuesto idénticas. Siga las instrucciones en la sección de mantenimiento de este manual.** El uso de partes no autorizadas o fallos consecuencia de ello debido a un mantenimiento inadecuado generan el riesgo de descargas eléctricas o lesiones.

## INSTRUCCIONES DE SEGURIDAD ESPECÍFICOS Y SÍMBOLOS

- **Esta herramienta eléctrica debe utilizarse para el pulido. Tener en cuenta todas las advertencias de seguridad, instrucciones, representaciones y datos que se entregan conjuntamente con este equipo.**  
En caso de ignorar estas advertencias, se corre peligro de descargas eléctricas, incendios y/o lesiones graves.
- **Esta herramienta no es adecuada para el amolado, el amolado con papel de lija, el trabajo con cepillos de acero o el tronzado.**  
Usos para los cuales es inadecuado el equipo eléctrico, pueden causar peligros y lesiones.
- **Utilizar exclusivamente accesorios que hayan sido aprobadas específicamente por el fabricante, para su uso con esta herramienta eléctrica.**  
El solo hecho de poder sujetar el accesorio en la herramienta eléctrica, no garantiza que su uso presente la seguridad necesaria.
- **La velocidad de giro de la herramienta utilizada debe ser como mínimo del valor que aquella indicada en el equipo eléctrico.**  
Accesorios que giran a velocidades superiores que las permitidas, pueden destrozarse, haciendo volar los trozos por los alrededores.
- **Las dimensiones externas y el espesor de la herramienta utilizada debe corresponder a las medidas indicadas en el equipo eléctrico.**  
Herramientas de aplicación mal dimensionadas, no pueden protegerse o controlarse de modo suficiente.
- **Los discos y platos amoladores u otro tipo de accesorio, deben calzar correctamente sobre el husillo correspondiente de la herramienta eléctrica.**  
Herramientas de aplicación que no calzan correctamente sobre el husillo de la herramienta eléctrica, giran de forma irregular, vibran con fuerza y pueden conducir a la pérdida de l control.
- **No utilizar accesorios dañados.**  
Controlar antes de cada uso la herramienta de aplicación, a fin de determinar si presenta desprendimientos, fisuras y en el caso de los platos amoladores lapresencia de fisuras, desgaste abusivo. Si la herramienta eléctrica o bien la herramienta de aplicación caen al suelo, controlar si se ha dañado o bien utilizar una herramienta sin daños. Una vez controlada y colocada la herramienta de aplicación, mantenerse a sí mismo y a otras personas fuera del plano de rotación, dejando el equipo en marcha durante un minuto a su velocidad máxima.  
Herramientas dañadas generalmente se destrozán en este tiempo.
- **Usar equipo de protección personal.**  
Utilice protección facial integral, protección para los ojos o gafas protectoras según la aplicación. Si hiciera falta, utilice una máscara contra el polvo, protección para el oído, guantes de protección, calzado especial o un delantal que mantenga alejadas de su persona las pequeñas partículas producto del amolado. Los ojos deben estar protegidos contra cuerpos extraños que puedan

producirse durante las diversas aplicaciones.

La máscara contra el polvo o para la respiración debe filtrar el polvo que se genera durante el amolado.

Si se está expuesto a ruidos fuertes durante un tiempo prolongado, puede producirse la pérdida de la audición.

- **Cuide que otras personas en su cercanía se encuentren fuera de su zona de trabajo. Toda persona que acceda a la zona de trabajo debe estar provista con el equipamiento de protección adecuado.**

Pueden volar trozos de la pieza en proceso o de la herramienta destrozada, produciendo lesiones en zonas aún externas a la zona de trabajo.

- **Sujetar el equipo de las superficies aisladas correspondientes cuando la herramienta de aplicación puede incidir en conductores eléctricos ocultos o cables pertenecientes a la red eléctrica.**

El contacto con conductores bajo tensión puede aplicar esta tensión también a las partes metálicas del equipo, produciendo una descarga eléctrica.

- **Mantener el cable de alimentación alejado de partes de la herramienta que se encuentren en movimiento.**
- Si se pierde el control sobre el equipo, puede cortarse o ser tomado el cable de alimentación de red, entrando la mano o el brazo en contacto con la herramienta de aplicación que está girando.
- **Nunca asentar la herramienta eléctrica antes que la herramienta de aplicación se haya parado completamente.**

La herramienta de aplicación puede entrar en contacto con la superficie de

asiento, lo que lleva a la pérdida de control sobre el equipo.

- **No dejar la herramienta eléctrica en marcha mientras se la lleva de un sitio a otro.**

La indumentaria del operador puede entrar casualmente en contacto con la herramienta de aplicación, penetrando la herramienta de aplicación en el cuerpo del mismo.

- **Limpiar con regularidad las rendijas de ventilación de la herramienta eléctrica.**

El ventilador del motor aspira polvo hacia el interior de la carcasa y una cantidad suficiente de polvo metálico dentro de ésta, puede ser causa de peligros de descargas eléctricas.

- **No utilizar la herramienta eléctrica en la cercanía de sustancias inflamables.**

Las chispas pueden producir la ignición de estas sustancias.

- **No utilizar herramientas de aplicación que requieran de refrigerantes líquidos.**

La utilización de agua u otros agentes refrigerantes líquidos puede ser causa de descargas eléctricas.

## **Retroceso y medidas de seguridad correspondientes**

El contragolpe es una reacción repentina debida a que una herramienta de aplicación se trava o bloquea, como puede ocurrir con un disco amolador, un plato amolador, un cepillo de acero, etc. Un bloqueo conduce a un paro repentino de la herramienta de aplicación que se encuentra en rotación. Esto causa la aceleración descontrolada del equipo eléctrico en el punto de bloqueo, en sentido de giro opuesto a aquél de la herramienta.

Si por ejemplo un disco amolador se trava o bloquea en la pieza a procesar, puede quebrarse un trozo del disco amolador que está penetrando en la

pieza a procesar o bien producir un contragolpe. El disco amolador se mueve entonces en dirección al operario o alejándose de él, según el sentido de giro del disco en el punto de bloqueo. Esto también puede ser causa para que el disco amolador se quiebre. Un contragolpe es la consecuencia de un uso incorrecto o deficiente de la herramienta eléctrica. Puede evitarse mediante medidas preventivas, según se describe a continuación.

- **Sujetar firmemente la herramienta eléctrica y ubicar el cuerpo y los brazos en una posición que permita contrarrestar los contragolpes.**  
En caso de existir, utilizar siempre la manija adicional a fin de disponer del mayor control en caso de contragolpes o momentos de reacción durante el arranque.  
El operario puede dominar las fuerzas de contragolpe o reacción, mediante las medidas de precaución adecuadas.
- **Nunca acercar la mano a la herramienta de aplicación en movimiento giratorio.**  
La herramienta puede moverse sobre su mano en caso de un contragolpe.
- **Evite penetrar con el cuerpo en la zona donde el equipo eléctrico eventualmente se mueve durante un retroceso.**  
El contragolpe impulsa la herramienta eléctrica en sentido opuesto al movimiento del disco amolador en el punto de bloqueo.
- **Trabaje con especial precaución en la cercanía de esquinas, cantos filosos, etc. Evite que la herramienta rebote de la pieza en proceso y se trabé.**  
La herramienta de aplicación en movimiento de giro, tiende a trabarse en las esquinas, bordes agudos o cuando rebota de la pieza en proceso.

Esto causa la pérdida de control o bien un contragolpe.

- **No utilizar hojas de cadenas o de sierra.**  
Herramientas de aplicación de este tipo, muchas veces causan contragolpes o la pérdida de control.


### Indicaciones de seguridad especiales para el pulido:

- **No admitir piezas sueltas de la cubierta de pulido, especialmente hilos de sujeción. Almacenamiento o cortado de los hilos de sujeción.**  
Hilos de sujeción sueltos que acompañan el movimiento de giro, pueden enrollarse en los dedos o bien en la pieza a procesar.

### Doble aislación para un trabajo más seguro

Para un trabajo más seguro con esta herramienta eléctrica, FLEX ha adoptado un diseño de doble aislación.

«Doble aislación» quiere decir, que se han utilizado dos sistemas físicamente separados para aislar las partes conductoras conectadas a la alimentación eléctrica, de las piezas externas manipuladas por el operario.

A tal fin aparece el símbolo  o bien la leyenda «Double insulation» sobre la herramienta eléctrica o bien sobre su placa de características.

Debido a ello, este sistema no posee una puesta a tierra. Usted solo necesita seguir las precauciones de seguridad eléctrica normales, indicadas en este manual, incluyendo aquella de no utilizar la herramienta eléctrica en ambientes húmedos.

Para mantener la efectividad de este sistema de aislación, cumpla con las precauciones siguientes:

- **El desarmado y armado de esta herramienta eléctrica debe ser realizado exclusivamente por CENTROS AUTORIZADOS DE ASISTENCIA FLEX y se deben emplear exclusivamente repuestos genuinos FLEX.**
- **Limpie el exterior de la herramienta eléctrica con un paño suave, humedecido con agua jabonosa y séquelo prolijamente.**
- **Nunca utilice solventes como gasolina o thinner sobre componentes de material plástico; ya que éstos disuelven el material plástico.**

#### Otras indicaciones de seguridad



- **Parte del polvo causado por el lijado eléctrico, el serruchado, la trituración, el taladro y otras actividades de construcción contiene sustancias químicas que, según el estado de California, causan cáncer, defectos congénitos u otros daños reproductivos.** Algunos ejemplos de estos productos químicos son:
  - Plomo de pinturas a base de plomo.
  - Sílice cristalina de ladrillos, cemento y otros productos de mampostería.
  - Arsénico y cromo de madera tratada con químicos.

**El riesgo que corre debido a la exposición a estos químicos varía según la frecuencia con que realiza este**

**tipo de trabajo.** Para reducir la exposición a estas sustancias químicas:

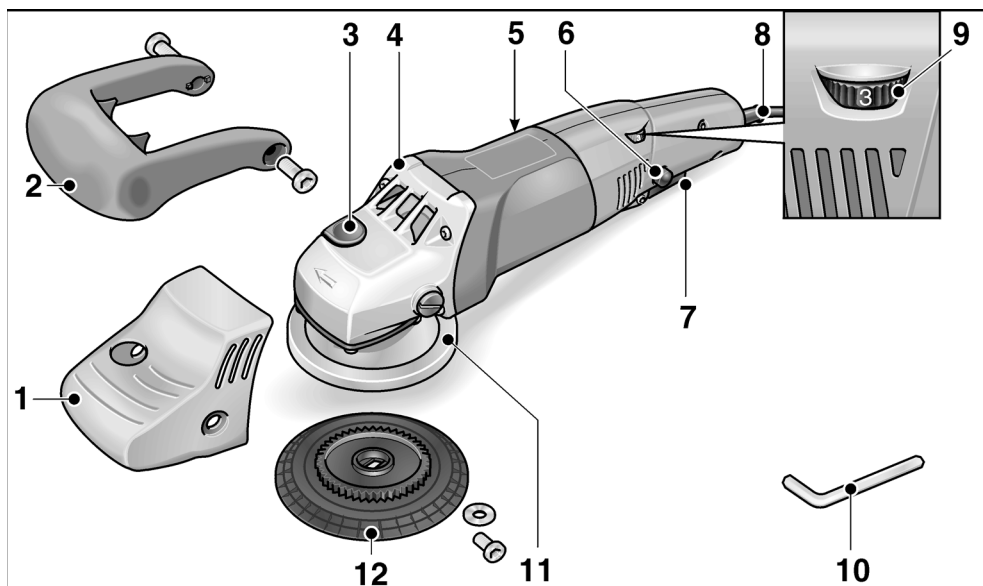
- Trabaje en un área bien ventilada.
- Trabaje con equipo de seguridad aprobado, como las mascarillas antipolvo especialmente diseñadas para filtrar partículas microscópicas.
- Evite estar en contacto prolongado con el polvo provocado por el lijado, el aserrado, la trituración y el taladrado, y otras actividades de construcción. Use ropa protectora y lave todas las áreas expuestas del cuerpo con agua y jabón. Si permite que el polvo llegue a su boca o a sus ojos, o que caiga sobre la piel, podría fomentar la absorción de productos químicos dañinos.

#### Definición de símbolos utilizados sobre esta herramienta

V	volts
~	Corriente alterna
Hz	Hertz
A	Amperes
$n_o$	Velocidad sin carga
$\text{min}^{-1}$	Revoluciones por minuto
	Doble aislación para un trabajo más seguro
	¡Utilice gafas de protección cuando trabaja!

**¡GUARDE ESTAS INSTRUCCIONES Y PÓNGALAS A DISPOSICIÓN DE OTROS USUARIOS Y PROPIETARIOS DE ESTA HERRAMIENTA!**

## De un vistazo



- |   |  |
|---|--|
| <p><b>1</b> Cubierta de empuñadura</p> <p><b>2</b> Empuñadura de estribo</p> <p><b>3</b> Traba para el husillo<br/>Para trabar el husillo durante el cambio del plato con abrojo.</p> <p><b>4</b> Cabeza del engranaje<br/>Con salida para el aire y flecha indicadora del sentido de giro.</p> <p><b>5</b> Chapa de características</p> <p><b>6</b> Botón de traba<br/>Traba el conmutador (7) en caso de marcha continua.</p> <p><b>7</b> Conmutador<br/>Para el encendido y apagado así como para la aceleración hasta la velocidad prefijada.</p> | <p><b>8</b> Cable de conexión a la red con el enchufe correspondiente<br/>334.839:<br/>Cable de conexión a la red de 10 '<br/>392.715:<br/>Cable de conexión a la red de 25 '</p> <p><b>9</b> Rueda de ajuste para la preselección de la velocidad de giro</p> <p><b>10</b> Llave para hexágono interno</p> <p><b>11</b> Carcasa</p> <p><b>12</b> Plato abrojo</p> |
|---|--|



## Indicaciones para el uso



### PELIGRO

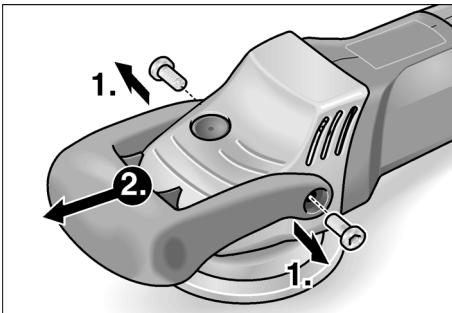


*Antes de realizar cualquier trabajo en la pulidora, desconectar el enchufe de red.*

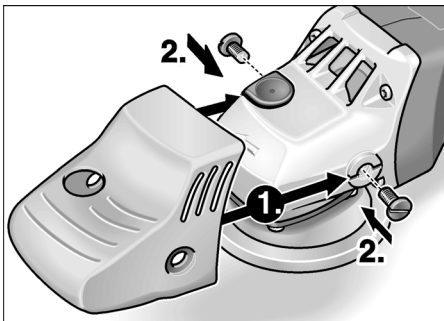
### Antes de la puesta en marcha

Desembalar la pulidora y controlar que el volumen de entrega está completo y si se produjeron daños durante el transporte.

**En caso de necesidad:  
desmontar la empuñadura de  
estribo**



**Montar solamente la cubierta de  
empuñadura**

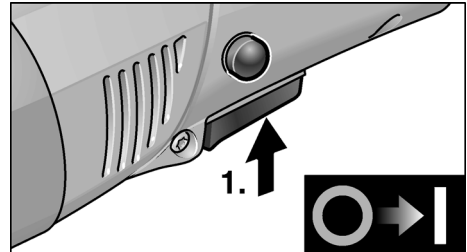


1. Aflojar los 2 tornillos de la empuñadura de estribo mediante la llave (10).

2. Quitar la empuñadura de estribo y la cubierta de empuñadura.
3. Colocar solamente la cubierta de empuñadura.
4. Sujetar la cubierta de empuñadura con los dos tornillos con ranura.

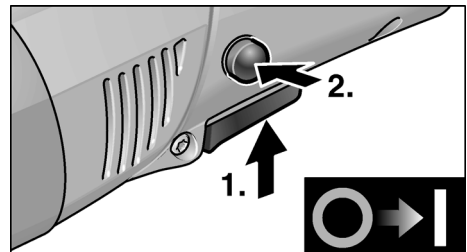
### Encendido a pagado

**Marcha de tiempo reducido sin trabado:**

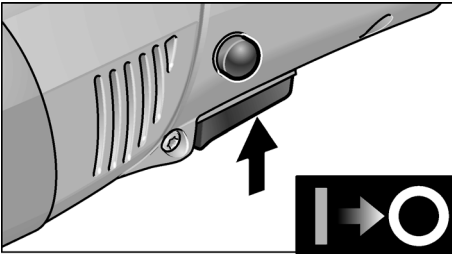


- Presionar el conmutador y sujetarlo.
- Para el paro, soltar el conmutador.

**Funcionamiento continuo con traba:**



- Presionar el conmutador y sujetarlo.
- Para trabarlo, mantener el botón de traba presionado y soltar el conmutador.



- Para el paro, presionar brevemente el conmutador y soltarlo.

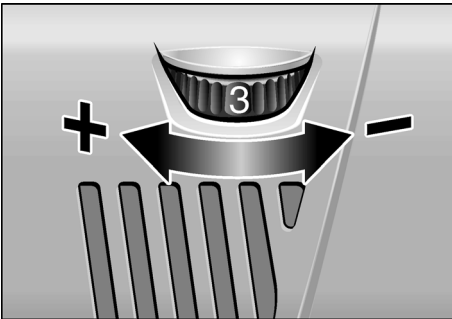


### NOTA



Después de un corte en el suministro de energía eléctrica, el equipo no vuelve a arrancar solo.

### Preselección de la velocidad de giro



- Para ajustar la velocidad de trabajo, girar la rueda de ajusta (9) al valor deseado.
- Mediante un movimiento cuidadoso del conmutador (7) el equipo acelera hasta la velocidad de giro preseleccionada.



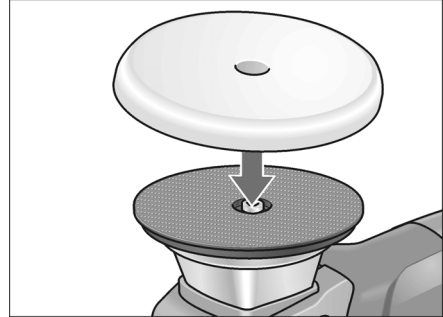
### NOTA



En caso de sobrecarga o recalentamiento durante el funcionamiento continuo, el equipo reduce su velocidad de giro automáticamente, hasta que se ha enfriado suficientemente.

### Sujeción o cambio de la herramienta

1. Desconectar el enchufe de red.
2. Centrar el agente pulidor a ojo sobre el plato abrojo (11) presionándolo luego. **Utilizar exclusivamente herramientas de pulido libres de daños.**



3. Conectar el enchufe de red.
4. Encender la pulidora (sin trabar el conmutador) dejándola marcha aprox. 30 segundos. Controlar si existen excentricidades o vibraciones.
5. Parar la pulidora.

### Indicaciones para el trabajo



### CUIDADO



*Una vez apagada, la herramienta de pulido presenta una breve marcha inercial.*



### NOTA



Después de un cambio de herramienta (p, ej, piel de lana) puede resultar un aumento de las vibraciones debido a las diferencias de peso. Modificar la velocidad de giro mediante la rueda de ajuste (9), hasta que las vibraciones se reducen.

- Poner en marcha la máquina antes de asentarla sobre la superficie a procesar y esperar a que alcance la velocidad de giro seleccionada.
- Mover la pulidora con presión leve en movimientos circulares que se solapan sobre la superficie a procesar, a fin de lograr un alto rendimiento en el pulido y una larga vida útil de la herramienta.
- En caso de trabajar superficies sensible (p. ej. lacas de automóvil) trabajar sin agresividad, con velocidad de giro y presiones bajas.

## Mantenimiento y cuidado



### PELIGRO



*Antes de realizar cualquier trabajo en la pulidora, desconectar el enchufe de red.*

### Limpieza

- Limpiar regularmente el equipo y las ranuras de ventilación. La frecuencia de la limpieza dependerá del material y la intensidad de uso.
- Limpiar periódicamente la parte interior de la carcasa y el motor con aire comprimido seco.

### Escobillas de carbón

La pulidora está equipada con escobillas de desconexión automática.

Al llegar al nivel de desgaste máximo, las escobillas de desconexión automática paran la pulidora.



### NOTA



Utilizar únicamente repuestos legítimos del fabricante. En caso de uso de productos de terceros, expira la garantía del fabricante.

A través de las ranuras de ventilación posteriores, puede observarse el chispeo de las escobillas durante el funcionamiento.

En caso que se observe una formación intensa de chispas en las escobillas, desconectar inmediatamente la pulidora. Entregar la pulidora a un taller de servicio a clientes autorizado por el fabricante.

### Engranaje



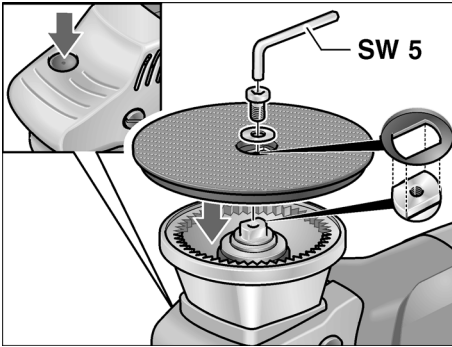
### NOTA



No aflojar los tornillos en la cabeza del engranaje (4) durante el período de garantía. El incumplimiento conduce a que la garantía del fabricante caduque.

### Cambio del plato abrojo en caso de desgaste

1. Desconectar el enchufe de red.
2. Quitar la esponja pulidora.
3. Asentar la máquina sobre su parte posterior.
4. Presionar la traba husillo y aflojar el tornillo mediante la llave hexagonal. Girando hasta extraer el tornillo.
5. Limpiar la superficie de asiento para la llave en el eje motriz si hiciera falta.
6. Asentar un plato abrojo nuevo sobre el eje motriz.



## GARANTÍA

### PÓLIZA DE GARANTÍA LIMITADA DE 1 AÑO DE FLEX

La Compañía de FLEX garantiza sus herramientas mecánicas profesionales por un período de 1 año a partir de la fecha de compra. FLEX reparará o reemplazará – según nuestra opción – cualquier parte o partes de la herramienta o de los accesorios protegidos bajo esta garantía que, después de examinarlos, demuestren cualquier defecto en los materiales o mano de obra durante el período de la garantía. Para reparación o reemplazo, devuelva la herramienta o accesorio completo, cubriendo el precio de transporte, al Centro de Servicio de FLEX o a la Estación de Servicio Autorizado más cercana. Puede ser que requiera prueba de compra.

Esta garantía no incluye la reparación o reemplazo en caso de mal uso, abuso o desgaste normal de la herramienta así como reparaciones efectuados o atendadas por otros medios que no sean de los Centros de Servicio de FLEX o las Estaciones de Servicio Autorizado por FLEX.

CUALQUIER GARANTÍA IMPLÍCITA, INCLUSO LAS GARANTÍAS DE COMERCIALIZACIÓN Y APTITUD PARA PROPÓSITOS ESPECIALES O PARTICULARES, DURARÁN POR SÓLO UN (1) AÑO A PARTIR DE LA FECHA DE COMPRA.

La ranura del plato abrojo debe encastrar en la superficie de asiento para la llave del eje motriz. Si hace falta, girar el eje.

7. Enroscar el tornillo y ajustarlo con la llave hexagonal. Presionar la traba del husillo durante esta operación.
8. ¡Efectuar una marcha de prueba. Controlar si existen excentricidades o vibraciones.

### Reparaciones

Hacer efectuar las reparaciones exclusivamente por un taller de servicios a clientes autorizado por el fabricante.

### Repuestos y accesorios



#### NOTA



Se autoriza exclusivamente el uso de herramientas autorizadas por FLEX.

Por accesorios, en especial herramientas y agentes de pulido, consultar el catálogo del fabricante.

Para obtener información de la garantía de desempeño haga el favor de escribir a

Flex-North America, Inc.  
Warehouse/Distribution Center  
2720 E. Phillips Road  
Greer, SC 29650  
(877) 331-6103 (Servicio técnico)  
(888) 331-6104 (Fax)  
Flex-North America, Inc.  
US-Corporate Office  
13057 West Center Street – Suite 6  
Omaha, NE 68118  
(402) 933-7759 (Oficina)  
(402) 933-7729 (Fax)

[www.flexnorthamerica.com](http://www.flexnorthamerica.com)

LA OBLIGACIÓN ANTERIORMENTE MENCIONADA ES LA ÚNICA RESPONSABILIDAD DE FLEX BAJO ESTA O CUALQUIER GARANTÍA IMPLICADA. FLEX DE NINGUNA MANERA SERÁ RESPONSABLE POR NINGÚN DAÑO INCIDENTAL O CONSECUENTE.

Algunos estados no permiten limitaciones de tiempo de garantías implicadas ni la exclusión o la limitación de daños incidentales o consecuentes, así que puede que la limitación o la exclusión no le aplique a usted.

Esta garantía le da a usted unos derechos legales específicos. Puede ser que usted tenga también otros derechos legales los cuales varían de un estado a otro.

## Datos técnicos

Tipo de equipo		XC 3401 VRG
Ø máximo de la herramienta	mm	160
Alojamiento para la herramienta	mm	Abrojo Ø 140
Número de revoluciones	R.P.M.	160–480
Cantidad de carreras	min <sup>-1</sup>	3200–9600
Carrera	mm	8
Consumo de energía	W	900
Potencia entregada	W	590
Peso (sin cable)	kg	2,6
Tipo de protección		II / <input type="checkbox"/>

## Ruido



### CUIDADO



*Utilizar protección para el oído en caso de niveles de presión sonora superiores a los 85 dB(A).*

Medidos según EN 60745:

Presión sonora L <sub>pA</sub>	dB(A)	79
Potencia sonora L <sub>WA</sub>	dB(A)	90

## Vibración

Valor eficaz de aceleración  
sopesado según EN 60745: 4,9 m/s<sup>2</sup>

## Sommaire

---

Signification des termes avec symboles .....	31
Informations de sécurité importantes .....	31
Utilisation conforme .....	31
Avertissements de sécurité généraux pour l'outil électrique .....	32
<b>RÈGLES ET SYMBOLES SPÉCIFIQUES DE SÉCURITÉ</b> ...	34
Vue d'ensemble .....	39
Instructions d'utilisation .....	40
Maintenance et nettoyage .....	42
<b>GARANTIE</b> .....	44
Données techniques .....	45

## Signification des termes avec symboles

---



### DANGER



*Un texte précédé du terme DANGER signale une situation potentiellement dangereuse qui, si vous n'en tenez pas compte, s'assortit d'un danger de mort ou de blessures graves.*

---



### PRUDENCE



*Un texte précédé du terme PRUDENCE signale une situation potentiellement dangereuse qui, si vous n'en tenez pas compte, s'assortit d'un risque de blessure mineure ou modéré, ou d'endommagement de la machine.*

---



### REMARQUE



Le terme REMARQUE met en évidence des informations essentielles.

---

## Informations de sécurité importantes

---

Avant d'utiliser ou d'entretenir cet outil électroportatif, veuillez lire et bien assimiler tous les textes sur les précautions de sécurité, les avertissements et les instructions d'utilisation énoncées dans la présente notice d'utilisation.

La plupart des accidents provoqués par des outils électroportatifs en fonctionnement et lors de leur maintenance sont causés par le fait que des règles ou précautions de sécurité de base n'ont pas été respectées. Il est souvent possible d'éviter un accident en anticipant une situation potentiellement dangereuse avant même qu'elle n'apparaisse, et en respectant les procédures de sécurité appropriées.

Les précautions de sécurité de base à prendre sont décrites au chapitre « SÉCURITÉ » de cette notice d'utilisation et aux chapitres contenant les instructions d'utilisation et de maintenance.

Les risques à éviter pour éviter des dommages corporels et d'endommager la machine sont identifiés par des MENTIONS D'AVERTISSEMENT sur l'outil électroportatif et dans la présente notice d'utilisation.

N'utilisez JAMAIS cet outil électroportatif d'une façon qui n'a pas été spécifiquement recommandée par FLEX.

## Utilisation conforme

---

Cette polisseuse excentrique guidée manuellement est destinée

- aux applications professionnelles dans l'industrie et l'artisanat.
- aux travaux de polissage de toute sorte, par exemple des surfaces laquées sur les véhicules, surfaces de meubles, surfaces métalliques et surfaces de pierres, etc., avec des éponges à polir, des toisons d'agneau et toisons en laine
- à monter sur des outils à polir homologués pour tourner au minimum à 500 t/mn.

## Avertissements de sécurité généraux pour l'outil électrique



### AVERTISSEMENT :

**Veillez lire toutes les consignes de sécurité, instructions, illustrations et spécifications fournies avec cet appareil électroportatif.**

Si vous ne respectez pas les instructions qui suivent, vous risquez une électrocution, de provoquer un incendie et/ou des blessures graves.

**Veillez conserver toutes les consignes de sécurité et instructions dans un endroit sûr pour pouvoir les consulter ultérieurement.**

La notion d' « outil électroportatif » mentionnée par la suite se rapporte à des outils électriques raccordés au secteur (avec câble de raccordement) et à des outils électriques à batterie (sans câble de raccordement).

#### 1. Place de travail

**(a) Maintenez l'endroit de travail propre et bien éclairé.** Un lieu de travail en désordre ou mal éclairé augmente le risque d'accidents.

**(b) N'utilisez pas l'appareil dans un environnement présentant des risques d'explosion et où se trouvent des liquides, des gaz ou poussières inflammables.** Les outils électroportatifs génèrent des étincelles risquant d'enflammer les poussières ou les vapeurs.

**(c) Tenez les enfants et autres personnes éloignés durant l'utilisation de l'outil électroportatif.** En cas d'inattention vous risquez de perdre le contrôle sur l'appareil.

#### 2. Sécurité relative au système électrique

**(a) La fiche de secteur de l'outil électroportatif doit être appropriée à la prise de courant. Ne modifiez en aucun cas la fiche. N'utilisez pas de fiches d'adaptateur avec des appareils avec mise à la terre.** Les fiches non modifiées et les prises de courant appropriées réduisent le risque de choc électrique.

**(b) Évitez le contact physique avec des surfaces mises à la terre tels que tuyaux, radiateurs, fours et réfrigérateurs.**

Il y a un risque élevé de choc électrique au cas où votre corps serait relié à la terre.

**(c) N'exposez pas l'outil électroportatif à la pluie ou à l'humidité.** La pénétration d'eau dans un outil électroportatif augmente le risque d'un choc électrique.

**(d) N'utilisez pas le câble à d'autres fins que celles prévues, n'utilisez pas le âble pour porter l'appareil ou pour l'accrocher ou encore pour le débrancher de la prise de courant. Maintenez le câble éloigné des sources de chaleur, des parties grasses, des bords tranchants ou des parties de l'appareil en rotation.** Un câble endommagé ou torsadé augmente le risque d'un choc électrique.

**(e) Au cas où vous utiliseriez l'outil électroportatif à l'extérieur, utilisez une rallonge autorisée homologuée pour les applications extérieures.** L'utilisation d'une rallonge électrique homologuée pour les applications extérieures réduit le risque d'un choc électrique.



**(f) Si l'usage d'un outil électrique dans un emplacement humide est inévitable, utiliser une alimentation protégée par un dispositif à courant différentiel résiduel (RCD). L'usage d'un RCD réduit le risque de choc électrique**

### 3. Sécurité des personnes

**(a) Restez vigilant, surveillez ce que vous faites. Faites preuve de bon en utilisant l'outil électroportatif. N'utilisez pas l'appareil lorsque vous êtes fatigué ou après avoir consommé de l'alcool, des drogues ou avoir pris des médicaments.**

Un moment d'inattention lors de l'utilisation de l'appareil peut entraîner de graves blessures pour les personnes.

**(b) Utiliser un équipement de protection individuelle. Toujours porter une protection pour les yeux.** Les équipements de protection individuelle tels que les masques contre les poussières, les chaussures de sécurité antidérapantes, les casques ou les protections auditives utilisés pour les conditions appropriées réduisent les blessures.

**(c) Éviter tout démarrage intempestif. S'assurer que l'interrupteur est en position arrêt avant de brancher l'outil au secteur et/ou au bloc de batteries, de le ramasser ou de le porter.** Porter les outils électriques en ayant le doigt sur l'interrupteur ou brancher des outils électriques dont l'interrupteur est en position marche est source d'accidents.

**(d) Enlevez tout outil de réglage ou toute clé avant de mettre l'appareil en fonctionnement.** Une clé ou un outil se trouvant sur une partie en rotation peut causer des blessures.

**(e) Ne surestimez pas vos capacités. Veillez à garder toujours une position stable et équilibrée.** Ceci vous permet de mieux contrôler l'appareil dans des situations inattendues.

**(f) Portez des vêtements appropriés. Ne portez pas de vêtements amples ni de bijoux.** Maintenez cheveux, vêtements et gants éloignés des parties de l'appareil en rotation. Des vêtements amples, des bijoux ou des cheveux longs peuvent être happés par des pièces en mouvement.

**(g) Si des dispositifs servant à aspirer ou à recueillir les poussières doivent être utilisés, vérifiez que ceux-ci soient effectivement raccordés et qu'ils sont correctement utilisés.** L'utilisation de tels dispositifs réduit les dangers dus aux poussières.

**(h) Rester vigilant et ne pas négliger les principes de sécurité de l'outil sous prétexte que vous avez l'habitude de l'utiliser.** Une fraction de seconde d'inattention peut provoquer une blessure grave.

### 4. Utilisation et emploi soigneux de l'outil électroportatif

**(a) Ne surchargez pas l'appareil. Utilisez l'outil électroportatif approprié au travail à effectuer.** Avec l'outil électroportatif approprié, vous travaillerez mieux et avec plus de sécurité à la vitesse pour laquelle il est prévu.

**(b) N'utilisez pas un outil électroportatif dont l'interrupteur est défectueux.** Un outil électroportatif qui ne peut plus être mis en ou hors fonctionnement est dangereux et doit être réparé.

(c) **Débrancher la fiche de la source d'alimentation et/ou enlever le bloc de batteries, s'il est amovible, avant tout réglage, changement d'accessoires ou avant de ranger l'outil électrique.** De telles mesures de sécurité préventives réduisent le risque de démarrage accidentel de l'outil électrique.

(d) **Gardez les outils électroportatifs non utilisés hors de portée des enfants. Ne permettez pas l'utilisation de l'appareil à des personnes qui ne se sont pas familiarisées avec celui-ci ou qui n'ont pas lu ces instructions.** Les outils électroportatifs sont dangereux lorsqu'ils sont utilisés par des personnes non initiées.

(e) **Observer la maintenance des outils électriques et des accessoires. Vérifier qu'il n'y a pas de mauvais alignement ou de blocage des parties mobiles, des pièces cassées ou toute autre condition pouvant affecter le fonctionnement de l'outil électrique. En cas de dommages, faire réparer l'outil électrique avant de l'utiliser.** De nombreux accidents sont dus à des outils électriques mal entretenus.

(f) **Maintenez les outils de coupe aiguisés et propres.** Des outils soigneusement entretenus avec des bords tranchants bien aiguisés se coincent moins souvent et peuvent être guidés plus facilement.

(g) **Utiliser l'outil électrique, les accessoires et les lames etc., conformément à ces instructions, en tenant compte des conditions de travail et du travail à réaliser.** L'utilisation des outils électroportatifs à d'autres fins que celles prévues peut entraîner des situations dangereuses.

(h) **Il faut que les poignées et les surfaces de préhension restent sèches, propres et dépourvues d'huiles et de graisses.** Des poignées et des surfaces de préhension glissantes rendent impossibles la manipulation et le contrôle en toute sécurité de l'outil dans les situations inattendues.

## 5. Service

(a) **Faire entretenir l'outil électrique par un réparateur qualifié utilisant uniquement des pièces de rechange identiques.** Cela assure le maintien de la sécurité de l'outil électrique.

(b) **N'utilisez que des pièces de rechange identiques lors de la maintenance de l'appareil. Respectez les instructions figurant à la section « Maintenance » de cette notice.** L'utilisation de pièces non autorisées ou le non-respect des instructions de maintenance peut entraîner un choc électrique ou des blessures.

## RÈGLES ET SYMBOLES SPÉCIFIQUES DE SÉCURITÉ

■ **Il faut utiliser cet outil électroportatif comme polisseuse. Veuillez respecter toutes les consignes de sécurité, instructions, illustrations et données reçues avec l'appareil.**

Si vous ne respectez pas les instructions qui suivent, vous risquez une électrocution, de provoquer un incendie et/ou des blessures graves.

■ **Cet outil électroportatif ne convient pas pour travailler comme ponceuse, ponceuse à papier émeri, avec des brosses à crins métalliques et des disques de tronçonnage.** Les formes d'utilisation non prévues de cette ponceuse électroportative peuvent engendrer des risques et des blessures.

- **N'utilisez jamais d'accessoires qui n'ont pas été spécialement prévus et recommandés par le fabricant pour servir sur cet outil électroportatif.**  
Le seul fait de pouvoir fixer l'accessoire contre votre outil électroportatif ne garantit aucune-ment que son utilisation sera sûre.
- **La vitesse admissible de l'outil installé doit être au minimum aussi élevée que la vitesse maximum indiquée sur la ponceuse électroportative.** Les accessoires tournant à une vitesse supérieure à celle admise peuvent casser et être catapultés dans tous les sens.
- **Le diamètre extérieur et l'épaisseur de l'outil installé doivent se conformer aux indications dimensionnelles de la ponceuse électroportative.** Les outils aux dimensions incorrectes ne peuvent pas être suffisamment protégés ou contrôlés.
- **Les disques abrasifs, brides, plateaux de ponçage et autres accessoires doivent correspondre exactement à la broche de ponçage de votre outil électroportatif.** Les outils mis en œuvre qui ne correspondent pas exactement à la broche de ponçage de votre outil électroportatif tournent irrégulièrement, vibrent fortement et peuvent vous faire perdre le contrôle de ce dernier.
- **N'utilisez jamais d'outils endom-magés. Avant chaque utilisation, vérifiez si des parties des outils mis en œuvre, tels que les disques de ponçage, se sont détachées par éclats, si ces outils présentent des fissures ; vérifiez si les plateaux de ponçage présentent des fissures, ou des traces de (forte) usure ; vérifiez si les brosses à crins métalliques présentent des crins détachés ou cassés. Si l'outil électroportatif ou l'outil monté chutent, vérifiez s'ils sont endom-magés ou utilisez un outil intact. Après avoir contrôlé et monté l'outil, faites tourner l'appareil pendant une minute à la vitesse maximale en vous tenant, vous et d'autres personnes proches de vous, loin du plan de l'outil installé en train de tourner. Les outils installés endommagés cassent généralement au cours de cette période d'essai.**
- **Portez une tenue de protection personnelle. Suivant l'utilisation, portez une protection faciale intégrale, une protection oculaire ou des lunettes enveloppantes. Si nécessaire, portez un masque à poussière, un casque anti-bruit, des gants de protection ou une blouse spéciale faisant barrage aux particules poncées et de matière.** Protégez-vous les yeux contre les corps étrangers catapultés, engendrés au cours des différentes applica-tions. Les masques à poussière ou de protection respiratoire doivent pouvoir filtrer la poussière engendrée par l'application. Si vous restez exposé longtemps à un niveau de bruit élevé, vous risquez une perte d'acuité auditive.
- **Si d'autres personnes se trouvent à proximité, veillez à ce qu'elles soient à une distance sûre de votre zone de travail. Quiconque pénètre dans la zone de travail doit porter un équipement de protection personnelle.** Des fragments de la pièce ou de l'outil installé brisé peuvent être catapultés et provoquer des blessures aussi hors de la zone de travail immédiate.
- **Ne tenez l'appareil que par ses poignées isolantes lors de travaux au cours des-quels l'outil installé risque de toucher des câbles électriques invisibles ou le cordon d'alimentation de la ponceuse. Le contact avec une**

ligne électrique peut mettre les pièces métalliques sous tension et provoquer une électrocution.

■ **Éloignez le cordon électrique des outils en train de tourner.**

Si vous perdez le contrôle de l'appareil, l'outil risque de sectionner le cordon d'alimentation ou de la happer, et votre main ou votre bras risquent de se retrouver en contact avec l'outil en rotation.

■ **Ne déposez jamais l'outil électroportatif sur une surface tant que l'outil installé ne s'est pas complètement immobilisé.**

L'outil installé risquerait d'entrer en contact avec la surface de déposition et vous risqueriez de perdre le contrôle de l'outil électroportatif.

■ **Ne laissez jamais l'outil électroportatif tourner pendant que vous le transportez.**

L'outil en train de tourner risquerait, s'il entre fortuite-ment en contact avec un vêtement, de le happer et de pénétrer dans votre corps.

■ **Nettoyez régulièrement les ouïes de ventilation de votre outil électroportatif.**

Le ventilateur du moteur aspire de la poussière dans le carter, et une forte accumulation de poussières métalliques peut engendrer des risques électriques.

■ **N'utilisez pas l'outil électroportatif à proximité de matériaux combustibles.**

Les étincelles risquent d'enflammer ces matériaux.

## Recul brutal et consignes de sécurité correspondantes

Un recul brutal est la réaction qu'engendre un outil en train de tourner (meule, plateau de ponçage, brosse à crins métalliques, etc.) et qui vient subitement d'accrocher un objet ou de se bloquer. Un accrochage ou blocage provoque un arrêt brutal de

l'outil installé qui était en train de tourner. De ce fait, une ponceuse électroportative non fermement tenue subit une accélération en sens opposé de celui de l'outil installé.

■ **Tenez fermement l'outil électro-portatif et placez votre corps et vos bras dans une position qui vous permettra d'absorber les forces de recul. Utilisez toujours la poignée d'appoint si présente, pour conserver le contrôle le plus ample possible des forces de recul ou des couples de réaction pendant l'accélération.** Par des mesures de précaution appropriées, l'opérateur peut maîtriser les forces de recule et de réaction.

■ **N'approchez jamais vos mains des outils en place en train de tourner.**

Lors d'un recul brutal, l'outil en place pourrait passer sur votre main.

■ **Ne vous tenez pas dans la zone dans laquelle la ponceuse électroportative risque de se déplacer en cas de recul brutal.** Le choc du recul force l'outil électroportatif à tourner en direction opposée à celle de la meule à l'endroit où cette dernière s'est bloquée.

■ **Travaillez avec une particulière prudence dans les recoins, angles vifs, etc.. Empêchez que les outils installés rebondissent sur la pièce et s'y coincent dedans.**

L'outil en place en train de tourner tend à se coincer dans les angles, sur les arêtes vives ou en cas d'impact. Ceci provoque une perte de contrôle ou un recul brutal.


■ **N'utilisez jamais de chaîne de tronçonneuse ou de lame de scie dentée.** De tels outils provoquent fréquemment des reculs brutaux ou vous feront perdre le contrôle de l'outil électroportatif.

## Consignes de sécurité particulières pour le polisseuse :

- **Ne permettez jamais que des parties de la coiffe à polir se détachent, en particulier les cordelettes de fixation. Rangez ou raccourcissez les cordelettes de fixation.**

Les cordelettes de fixation mal fixées et entrées elles aussi en rotation peuvent happer vos doigts ou se prendre dans la pièce.

## Double isolation pour un fonctionnement plus sûr

Pour garantir que cet outil électroportatif fonctionne de façon encore plus sûre, FLEX a adopté le concept de la double isolation. « Double isolation » signifie que deux systèmes d'isolation physiquement séparés l'un de l'autre ont été utilisés pour isoler les matériaux électroconducteurs, raccordés au secteur, par rapport au corps extérieur de l'appareil manié par l'opérateur. Par conséquent, l'appareil arbore soit le symbole , soit les 2 termes « Double insulation », soit sur son boîtier soit sur la plaque signalétique.

Bien que ce système ne présente pas de borne de terre externe, vous devrez néanmoins respecter les précautions de sécurité électrique fournies dans cette notice d'instructions, ces précautions incluant de ne pas utiliser l'outil électroportatif dans des environnements mouillés.

Pour que le double système d'isolation demeure efficace, respectez les précautions suivantes :

- Il ne faut confier qu'au CENTRE AGRÉÉ DE SAV FLEX le démontage ou l'assemblage de cet outil électroportatif, et n'installer que des pièces de rechange FLEX d'origine.
- Ne nettoyez les surfaces extérieures de l'outil électroportatif qu'avec un chiffon doux humecté d'un peu d'eau savonneuse, puis séchez à fond.
- N'utilisez jamais de solvants, d'essence ou de diluants sur les pièces en plastique car ils risquent sinon de dissoudre le plastique.

## Autres consignes de sécurité

- **La poussière créée pendant le ponçage, le sciage, le polissage, le perçage et d'autres activités mécaniques liées à la construction peut contenir des produits chimiques reconnus par l'État de la Californie comme étant la cause de cancer, d'anomalies congénitales et d'autres problèmes liés aux fonctions reproductrices.** Voici des exemples de ces produits chimiques :
  - du plomb provenant de peintures à base de plomb;
  - de la silice cristalline provenant de la brique, du ciment ou d'autres matériaux de maçonnerie;
  - de l'arsenic et du chrome provenant du bois d'œuvre traité avec un produit chimique.

**Les risques liés à l'exposition à ces produits varient selon le nombre de fois où vous pratiquez ces activités.** Pour

réduire votre exposition à ces produits chimiques :

- travaillez dans un endroit bien ventilé;
- munissez-vous de l'équipement de sécurité approuvé tel que des masques antipoussières conçus spécialement pour filtrer les particules microscopiques;
- évitez l'exposition prolongée à la poussière causée par le ponçage mécanique, le sciage, le polissage, le perçage et d'autres activités liées à la construction; Portez un équipement de protection et lavez à l'eau et au savon toutes les parties exposées. Les poussières pénétrant dans votre bouche ou dans vos yeux et les poussières se déposant sur votre peau peuvent causer l'absorption de produits chimiques dangereux.

### Définitions des symboles apposés sur cet outil

V..... volts


~ ..... courant alternatif

Hz..... hertz

A..... ampères

$n_o$  ..... vitesse à vide

$\text{min}^{-1}$  ..... nombre de tours par minute

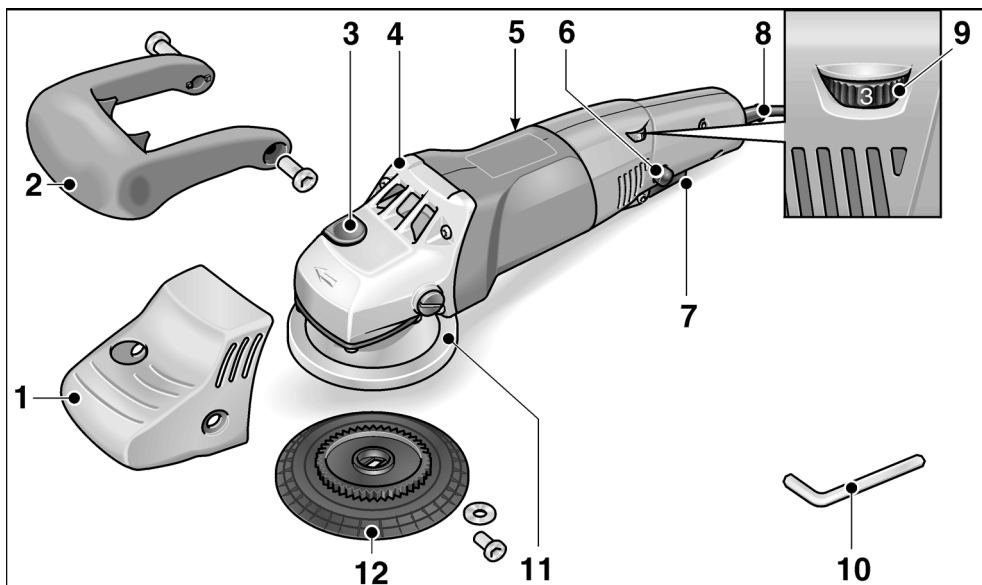
 ..... Double isolation pour un fonctionnement plus sûr



..... Portez des lunettes de protection!

**CONSERVEZ CES INSTRUCTIONS ET COMMUNIQUEZ-LES  
À D'AUTRES UTILISATEURS ET PROPRIÉTAIRES DE L'OUTIL !**

## Vue d'ensemble



- |  |  |
|--|--|
| <p><b>1 Capot à poignée</b></p> <p><b>2 Poignée étrier</b></p> <p><b>3 Dispositif de blocage de la broche</b><br/>Pour immobiliser la broche en cas de changement de plateau auto-agrippant.</p> <p><b>4 Boîte d'engrenages</b><br/>Avec sortie d'air et flèche directionnelle.</p> <p><b>5 Plaque signalétique</b></p> <p><b>6 Cran d'arrêt</b><br/>Il maintient l'interrupteur (7) en position de marche permanente</p> <p><b>7 Interrupteur</b><br/>Pour allumer et éteindre la polisseuse, ainsi que pour la faire accélérer jusqu'à la vitesse présélectionnée.</p> | <p><b>8 Cordon d'alimentation électrique, terminé par une fiche mâle</b><br/>334.839: Cordon d'alimentation électrique de 10 '<br/>392.715: Cordon d'alimentation électrique de 25 '</p> <p><b>9 Molette de pré réglage de la vitesse</b></p> <p><b>10 Clé hexagonale mâle</b></p> <p><b>11 Carter</b></p> <p><b>12 Plateau auto-agrippant</b></p> |
|--|--|

## Instructions d'utilisation



**DANGER**



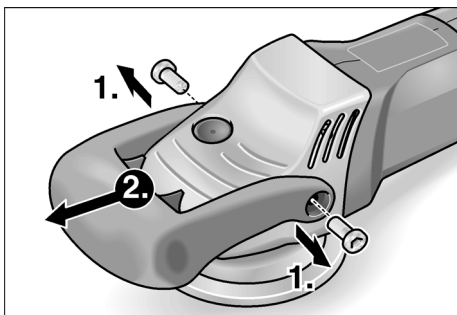
*Avant d'effectuer tous travaux sur la polisseuse, débranchez la fiche mâle de la prise de courant.*

### Avant la mise en service

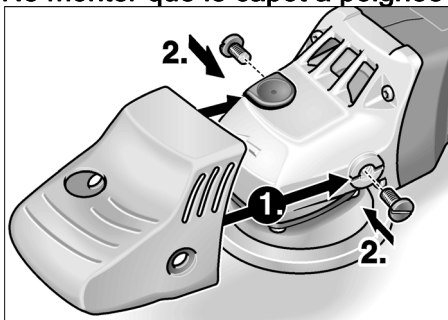
Déballiez la polisseuse et contrôlez que la livraison est au complet et si elle présente des dégâts survenus en cours de transport.

Si nécessaire :

Démonter la poignée étrier



Ne monter que le capot à poignée

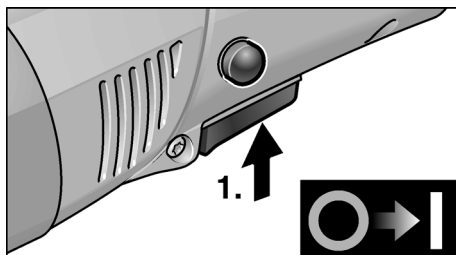


1. A l'aide de la clé (10), desserrez les 2 vis de la poignée étrier.

2. Retirez la poignée étrier et le capot à poignée.
3. N'enfilez que le capot à poignée.
4. Fixez le capot à poignée à l'aide des 2 vis à fente.

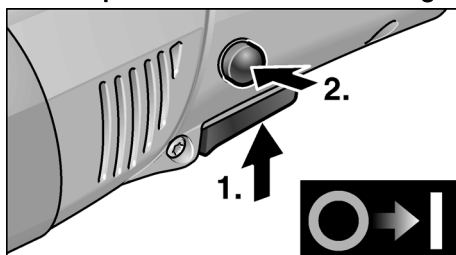
### Enclenchement et coupure

Marche de courte durée, sans activer le cran d'arrêt:



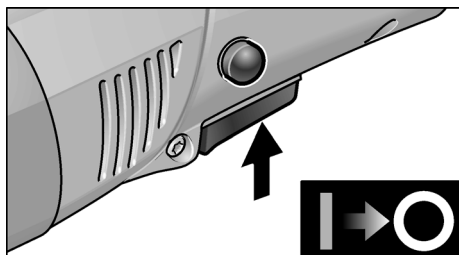
- Appuyez sur l'interrupteur et retenez-le.
- Pour éteindre la polisseuse, relâchez l'interrupteur.

Marche permanente avec enclenchage:



- Appuyez sur l'interrupteur et retenez-le.
- Pour que le cran encoche, maintenez le bouton de verrouillage appuyé puis relâchez l'interrupteur.

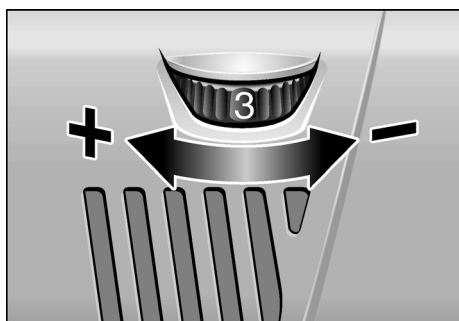




- Pour éteindre l'appareil, appuyez brièvement sur l'interrupteur puis relâchez-le.

**! REMARQUE !**  
Après une coupure de courant, l'appareil ne redémarre pas même s'il se trouvait en position enclenchée.

### Présélection de la vitesse

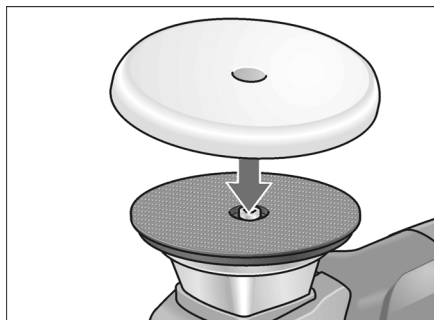


- Pour régler la vitesse de travail, amenez la molette (9) sur le chiffre souhaité.
- Modifiez avec doigté le réglage de l'interrupteur (7) pour que l'appareil accélère jusqu'à la vitesse présélectionnée.

**i REMARQUE i**  
En cas de surcharge ou de surchauffe en marche permanente, l'appareil réduit sa vitesse automatiquement jusqu'à ce qu'il ait suffisamment refroidi.

### Fixer l'outil ou le changer

1. Débranchez la fiche mâle de la prise de courant.



2. Centrez le moyen de polissage sur l'œillet puis appuyez-le fermement sur le plateau auto-agrippant (11). **N'utilisez qu'un outil à polir intact.**
3. Branchez la fiche mâle dans la prise de courant.
4. Enclenchez la polisseuse (sans faire encranter l'interrupteur) puis laissez-la tourner pendant 30 secondes environ. Contrôlez l'absence de balourds et de vibrations.
5. Eteignez la polisseuse.

## Consignes de travail



### PRUDENCE



*Après que vous avez éteint l'appareil, l'outil à polir continue de tourner brièvement.*



### REMARQUE



Après un changement d'outil (par exemple passage d'une toison en laine à une éponge à polir), la différence de poids peut engendrer des vibrations. Par la molette (9), modifiez la vitesse de travail jusqu'à ce que les vibrations diminuent

- Allumez la machine avant de la poser sur la surface à polir et faites-la accélérer jusqu'à la vitesse voulue.
- Déplacez la polisseuse en exerçant une légère pression d'applique et en décrivant des mouvements rotatifs se chevauchant sur la surface à polir, ceci pour parvenir à de bons rendements de polissage et de longues durées de vie de l'outil.
- En présence de surfaces délicates (laques automobiles par ex.), travaillez de façon «non agressive», c'est-à-dire à petite vitesse et en appuyant peu.

## Maintenance et nettoyage



### DANGER



*Avant d'effectuer tous travaux sur la polisseuse, débranchez la fiche mâle de la prise de courant.*

### Nettoyage

- Nettoyez régulièrement l'appareil et les ouïes de ventilation. La fréquence des nettoyages dépend du matériau meulé et de la durée d'utilisation.
- Nettoyez régulièrement l'intérieur du boîtier et le moteur à l'aide d'air comprimé sec.

### Balais de charbon

Le moteur de la polisseuse est équipé de balais de charbon à coupure automatique.

Une fois atteinte leur limite d'usure, la polisseuse s'éteint automatiquement..



### REMARQUE



Ne remplacez ces balais que par des pièces d'origine fournies par le fabricant. En cas d'emploi de pièces d'autres marques, le fabricant déclinera toute obligation au titre du recours en garantie.

Les ouïes d'entrée d'air situées à l'arrière permettent, pendant l'utilisation, de surveiller les étincelles des balais sur le collecteur.

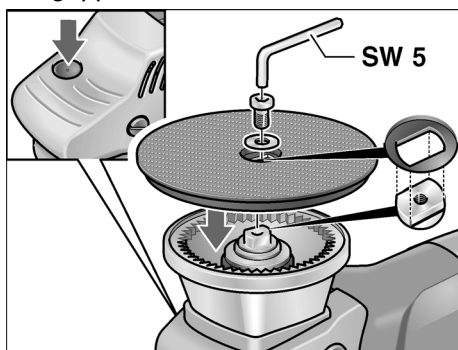
En présence de fortes étincelles au niveau du collecteur, entre les balais de charbon, éteignez immédiatement la polisseuse. Remettez la polisseuse à l'un des ateliers de service après-vente agréés par le fabricant.

## Réducteur

**i** **REMARQUE** **i**  
 Pendant la période de garantie, ne dévissez pas les vis situées contre la boîte d'engrenages (4). En cas de non-respect de cette consigne, le fabricant déclinera toute obligation au titre du recours en garantie.

### Remplacer le plateau auto-agrippant une fois celui-ci utilisé

1. Débranchez la fiche mâle de la prise de courant.
2. Enlevez l'éponge à polir.
3. Couchez la machine sur le côté.
4. Appuyez sur le dispositif de blocage de la broche ; ensuite, desserrez la vis avec une clé hexagonale mâle et dévissez-la. Retirez le plateau auto-agrippant.
5. Si nécessaire, nettoyez la surface d'application de la clé sur l'arbre de sortie.
6. Posez un nouveau plateau auto-agrippant sur l'arbre de sortie.



La rainure du plateau tournant doit engrener dans la surface d'application de la clé sur l'arbre ; faites tourner un peu l'arbre de sortie le cas échéant.

7. Introduisez la vis puis bloquez-la à l'aide de la clé hexagonale mâle. Appuyez ce faisant sur le dispositif de blocage de la broche.
8. Faites toujours un essai de marche. Contrôlez l'absence de balourds et de vibrations.

## Réparations

Ne confiez les réparations qu'à un atelier de SAV agréé par le fabricant.

## Pièces de rechange et accessoires

**i** **REMARQUE** **i**  
 Seuls les outils autorisés par FLEX pourront être utilisés.

Pour connaître les accessoires et notamment les outils et moyens auxiliaires de polissage, reportez-vous s.v.p. aux catalogues du fabricant.

## GARANTIE

---

### La garantie restreinte d'un an FLEX North America

FLEX North America garantit ses outils à usage industriel pour professionnels pour une période d'un an à compter de la date d'achat initiale. Nous réservons le droit de réparer ou de remplacer toute pièce ou pièces du produit et des accessoires couvert(s) par cette garantie, laquelle/lesquel(le)s, après avoir été examiné(es), s'avèrent être défectueux(es) du(e)s à des vices de matériau ou de fabrication durant la période de la garantie. Pour une réparation ou un remplacement, veuillez retourner l'outil ou l'accessoire complet, transport payé d'avance, à votre poste de service autorisé le plus près.

Une preuve d'achat pourrait être requise. Cette garantie ne s'applique pas à la réparation ou au remplacement dus à une utilisation inappropriée ou abusive, l'usure normale ou des réparations / tentatives de réparations effectuées par quiconque autre que nos postes de service autorisés.

TOUTE GARANTIE IMPLICITE,  
INCLUANT LES GARANTIES  
IMPLICITES DE QUALITÉ  
MARCHANDE ET D'ÉTAT INDIQUÉ  
POUR UNE UTILISATION  
SPÉCIFIQUE, NE S'APPLIQUERA  
QUE POUR UN (1) AN À PARTIR DE  
LA DATE D'ACHAT.


Pour obtenir des renseignements portant sur la garantie de performance, veuillez écrire au :

FLEX - North America, Inc.  
2720 E. Phillips Road  
Greer, SC 29650, États-Unis  
1-877-331-6103 ( téléphone )  
1-888-331-6104 ( télécopieur )  
[www.FlexNorthAmerica.com](http://www.FlexNorthAmerica.com)

LE SUSDIT DÉCRIT L'ENTIÈRE  
RESPONSABILITÉ DE FLEX NORTH  
AMERICA SOUS CETTE GARANTIE  
OU TOUTE GARANTIE IMPLICITE ;  
DE PLUS, EN AUCUN TEMPS FLEX  
NORTH AMERICA NE SERA TENU  
POUR RESPONSABLE POUR TOUTE  
PERTE OU DOMMAGE  
ACCESSOIRES OU CONSÉQUENTS  
QUELLE QU'EN SOIT LEUR NATURE.

Certains états ne permettent pas des restrictions à la durée d'une garantie implicite ou à l'exclusion ou la restriction des dommages accessoires ou conséquents ; par conséquent, l'exclusion ou les limites ci-dessus ne pourraient pas vous être applicables. Cette garantie vous confère des droits légaux spécifiques et vous pourriez aussi avoir d'autres droits légaux, qui varient d'un état à l'autre.

## Données techniques

Type d'appareil		XC 3401 VRG
Ø max. de l'outil	mm	160
Logement d'outil	mm	Plateau auto-agrippant Ø 140
Vitesse	t/mn	160–480
Nombre de courses	t/mn	3200–9600
Course	mm	8
Puissance absorbée	W	900
Puissance débitée	W	590
Poids (sans le cordon)	kg	2,6
Classe de protection		II / 

### Bruits



#### PRUDENCE



*Lorsque la pression acoustique dépasse 85 dB(A), veuillez porter un casque antibruit.*

Mesure du bruit réalisée selon  
EN 60745 :

Pression acoustique $L_{pA}$	dB(A)	79
Puissance sonore $L_{WA}$	dB(A)	90

### Vibration

Valeur effective pondérée de  
l'accélération selon EN 60745 : 4,9 m/s<sup>2</sup>

**Flex-Elektrowerkzeuge GmbH**  
**Bahnhofstr. 15**  
**D-71711 Steinheim/Murr**

**Tel. +49 (0) 7144 828-0**  
**Fax +49 (0) 7144 25899**

**info@flex-tools.com**  
**www.flex-tools.com**

---

**Flex-North America, Inc.**  
**Warehouse/Distribution Center**  
**2720 E. Phillips Road**  
**Greer, SC 29650**  
**(877) 331-6103 (Customer Service)**  
**(877) 331-6104 (Fax)**

**Flex-North America, Inc.**  
**US-corporate Office**  
**13057 West Center Street – Suite 6**  
**Omaha, NE 68118**  
**(402) 933-7759 (Office)**  
**(402) 933-6104 (Fax)**

**www.flexnorthamerica.com**

---